

ITR832-AA3 - Emergency Lighting Luminaire with 180° Adjustable LED Headlamp



| | |
|----------------------|---|
| Device | ITR832-AA3 |
| Power Supply | 230 VAC 50/60 Hz |
| Rated Duration | 3 h |
| Battery Type | 12V Lead-Acid |
| Headlamp Type | 9W LED |
| Type of Protection | IP 65 |
| Insulation Class | II |
| Temperature Range | Operation (-5°C...40°C) Storage (-15°C...55°C) |
| Maximum Air Humidity | < 90 RH |
| Material | ABS |
| Colour | White |
| Flammability | Non-flammable product |
| Dimensions | 98x255x205 mm (WxHxD) |

DESCRIPTION

Interra ITR832-AA3 is an emergency lighting luminaire with 180° adjustable LED headlamp and 3 hours duration usage in case of emergency. It offers an effective solution thanks to its long-lasting use (approximately 30,000 hours) and SMD power LED application. In addition, ITR832-AA3 also has a status display with green and red LEDs, remote control and test features with DALI interface. However, it has overcharge and deep discharge protection and charging circuit with constant voltage and current protect. Moreover, it operates safely under harsh environments with emergency lighting functions in case of low voltage and by interruption of the unswitched phase. ITR832-AA3 emergency lighting luminaire with maintenance-free sealed lead acid battery and ABS case can be mounted on the wall.

General Features:

General features of the emergency exit luminaire is shown below. Device's operating mode is non-maintained so that only lights in case of the mains failure.

| Rated Duration | Operating Mode | Light Source | Light Intensity on Energy / Emergency | Type of Mounting | Battery Charging Time |
|----------------|----------------|--------------|---------------------------------------|------------------|-----------------------|
| 3h | Non Maintained | 2 x 9W LED | - / 1500 lm | Surface Mounted | 48 h |

Mains Data:

Mains data information is shown in the table below. Mains current and rated power values are measured under 230 V mains. Maximum values are measured with discharged batteries and minimum values are measured with full-charged batteries.

| Rated Power(W) | Mains Current | Power Factor | Dimensions (mm) | Weight (kg) | Carton Box Quantity |
|----------------|---------------|--------------|-----------------|-------------|---------------------|
| 1,25 - 8,90 | 0,010 - 0,058 | 0,50 - 0,67 | 98x255x205 | 4,50 | 1 |

Test Switch Functions:

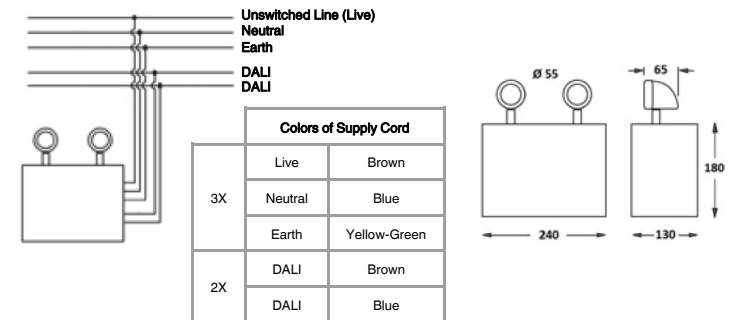
| | |
|-------------------|---|
| Short Press (<1s) | Starts the function test or terminate the all tests |
| Long Press (>5s)* | Starts the duration test. |

(*) : The battery must be 100% full before the duration test can be started.

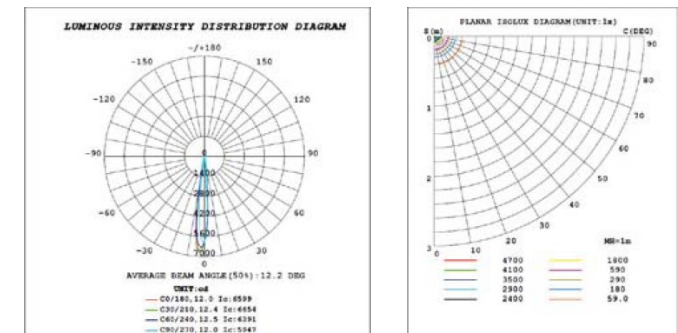
LED Indication Functions:

| | |
|--|------------------------------|
| Permanent GREEN | Charge Mode |
| Fast flashing GREEN (0.1s on—0.1s off) | Function test |
| Slow flashing GREEN (1s on - 1s off) | Duration test |
| Permanent RED | Load failure |
| Slow flashing RED (1s on - 1s off) | Battery failure |
| Fast flashing RED (0.1s on- 0,1s off) | Charging failure |
| Double pulsing GREEN | Inhibit mode |
| Binary transmission of address via GREEN/RED | Addressing or identification |
| GREEN and RED off | Emergency mode |

Wiring Diagram & Technical Drawings:



Light Distribution Curve:



Above curve is measured data just for one headlamp.